

**Technical specification of:**

# Mini Swing



- Classic
- Fantasy
- Risciò

**I.E. PARK S.r.l.**

Via Don P. Borghi 3

42043 Praticello di Gattatico REGGIO EMILIA - ITALY

phone +39-0522-678526 - fax +39-0522-678750

e-mail: [sales@iepark.com](mailto:sales@iepark.com) - website: [www.iepark.com](http://www.iepark.com)

Rev.09-18

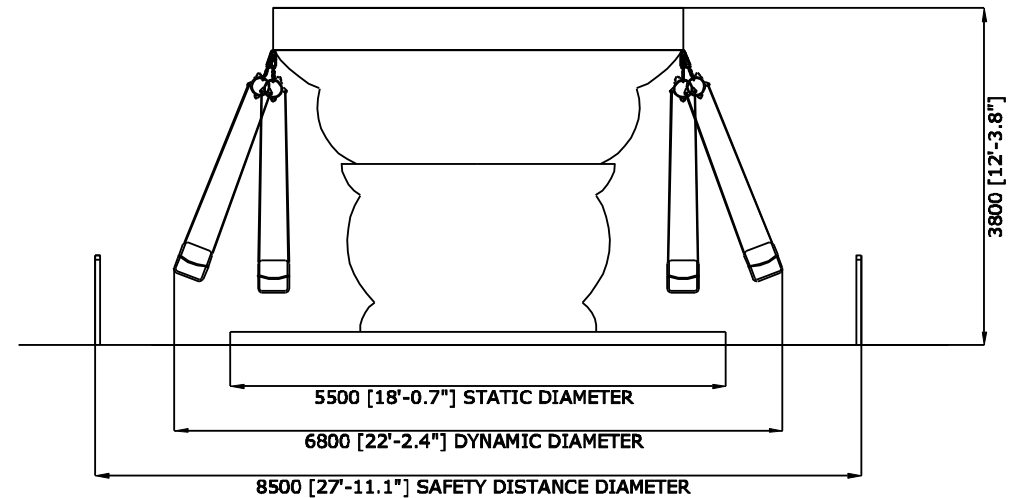
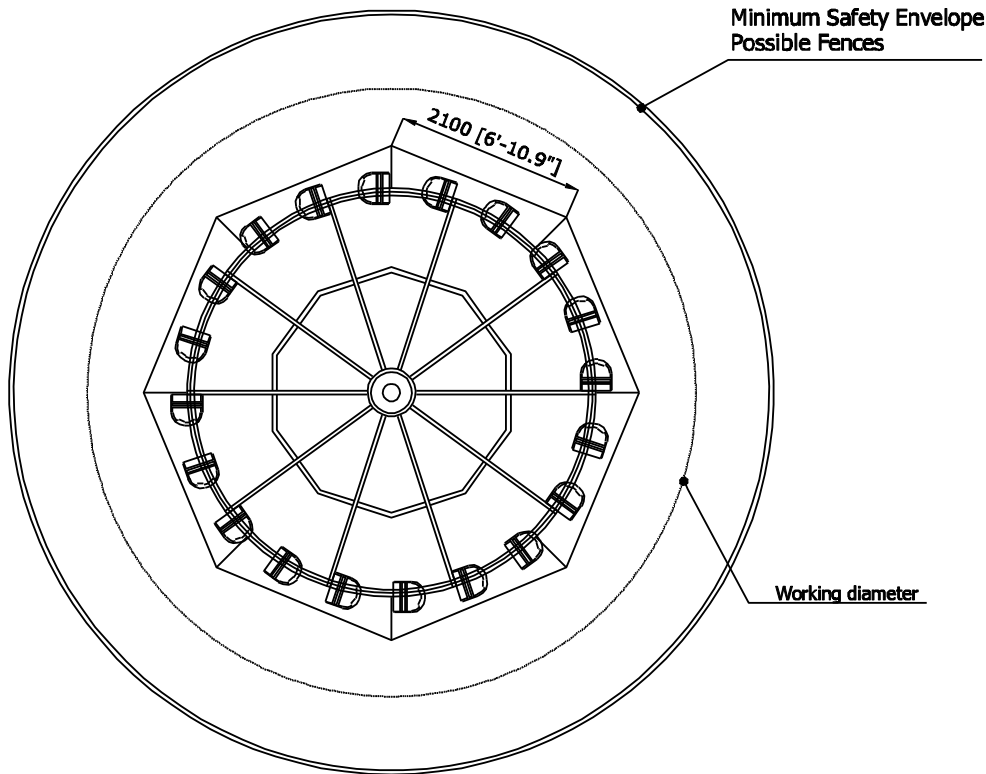
## Index

	page
<b>Classic</b>	
- Technical Data	3
- Foundation	4
<b>Fasntasy</b>	
- Technical Data	5
- Foundation	6
<b>Riscio</b>	
- Technical Data	7
- Foundation	8
<b>Photos</b>	9

## Description

The attraction is main composed by stationary base witch transmit to the ground all the load exerted by structure. In the centre of the base is fixed a column wich give transmission to the upper structure by the way of a toothed thrust bearing and a geared motor. The upper structure and the centre column are fiberglass covered. The rotation finally interest 20 seats connected to the upper structure by way of chains each one with a carrying capacity of one child. All the elements that compose the transmission/drive are completely inspectionable for the normal operations of maintenance and control.

## Classic - Technical Data



this design is an example

### TECHNICAL DATA

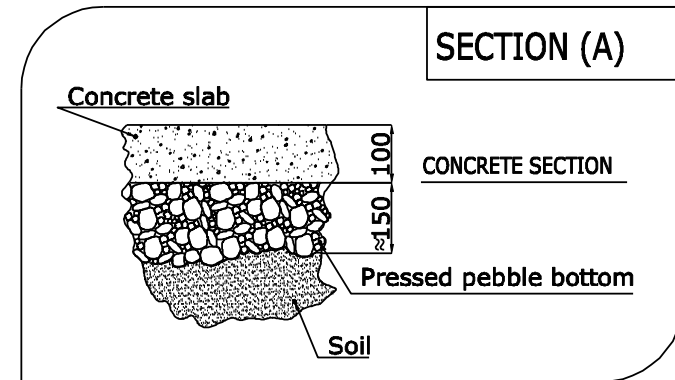
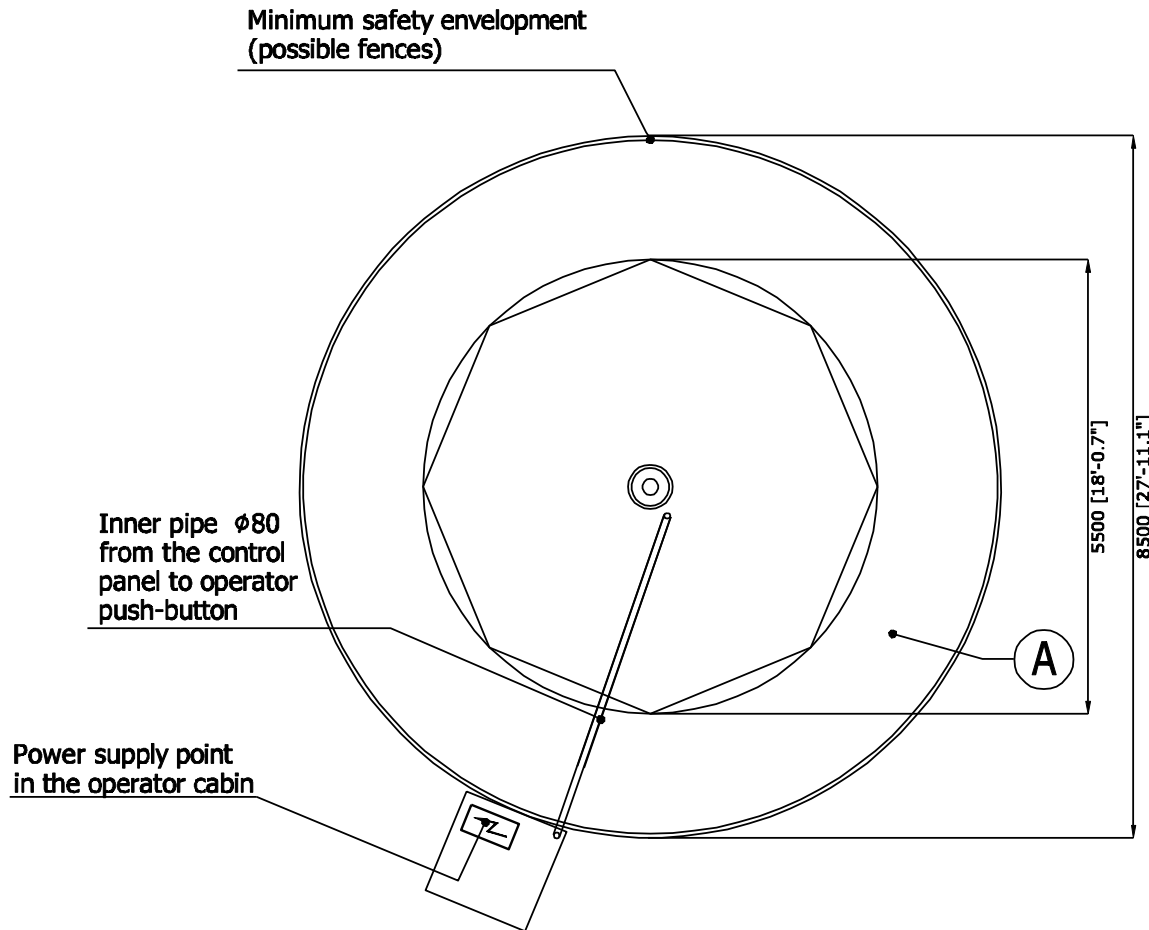
Weight	990 Kg / 9.7 kN – 1990 Kg / 19.5 kN (full load)
Total capacity	20 seats
Hourly capacity	350 passengers
Revolving Speed	12 RPM
Cycle Direction	Clockwise
Boarding	Simultaneous
Shipping volume	1x20'box
Noise level	<80db

### ELECTRICAL DATA

Voltage	3phase + neutral + earth (230/400/415 V)
Frequency	50/60 Hz
Motive power	0.75 kW
Lighting	1 kW
Control	Automatic/Manual

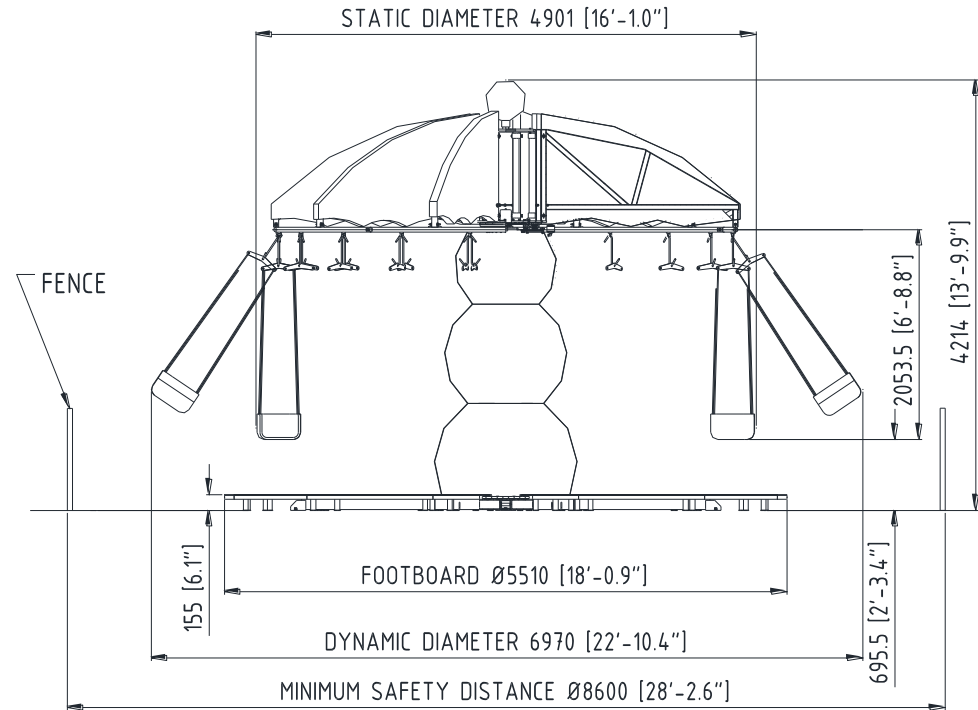
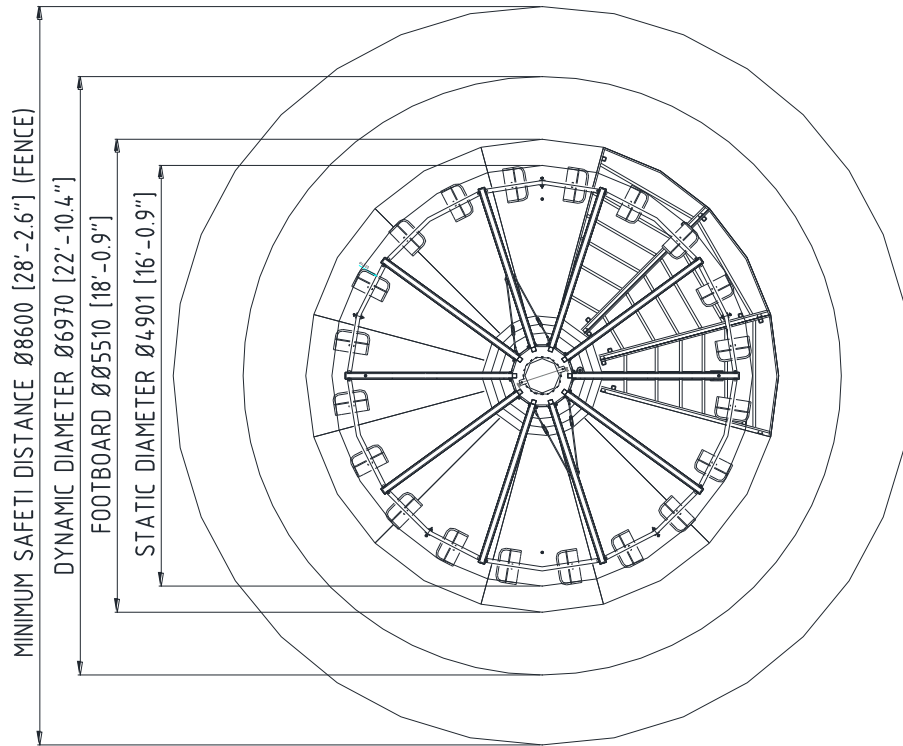
**Passengers age/height restrictions: Minimum admissible age 4 years old, height 105 cm - Unaccompanied**

## Classic - Foundation



**NOTE: The ride is free standing on the floor**

## Fantasy - Technical Data



### TECHNICAL DATA

Weight	1800 Kg / 17.7 kN – 2800 Kg / 27.4 kN (full load)
Total capacity	20 seats
Hourly capacity	300 passengers
Revolving Speed	10,5 RPM
Cycle Direction	Clockwise
Boarding	Simultaneous
Shipping volume	1x20'box
Noise level	<80db

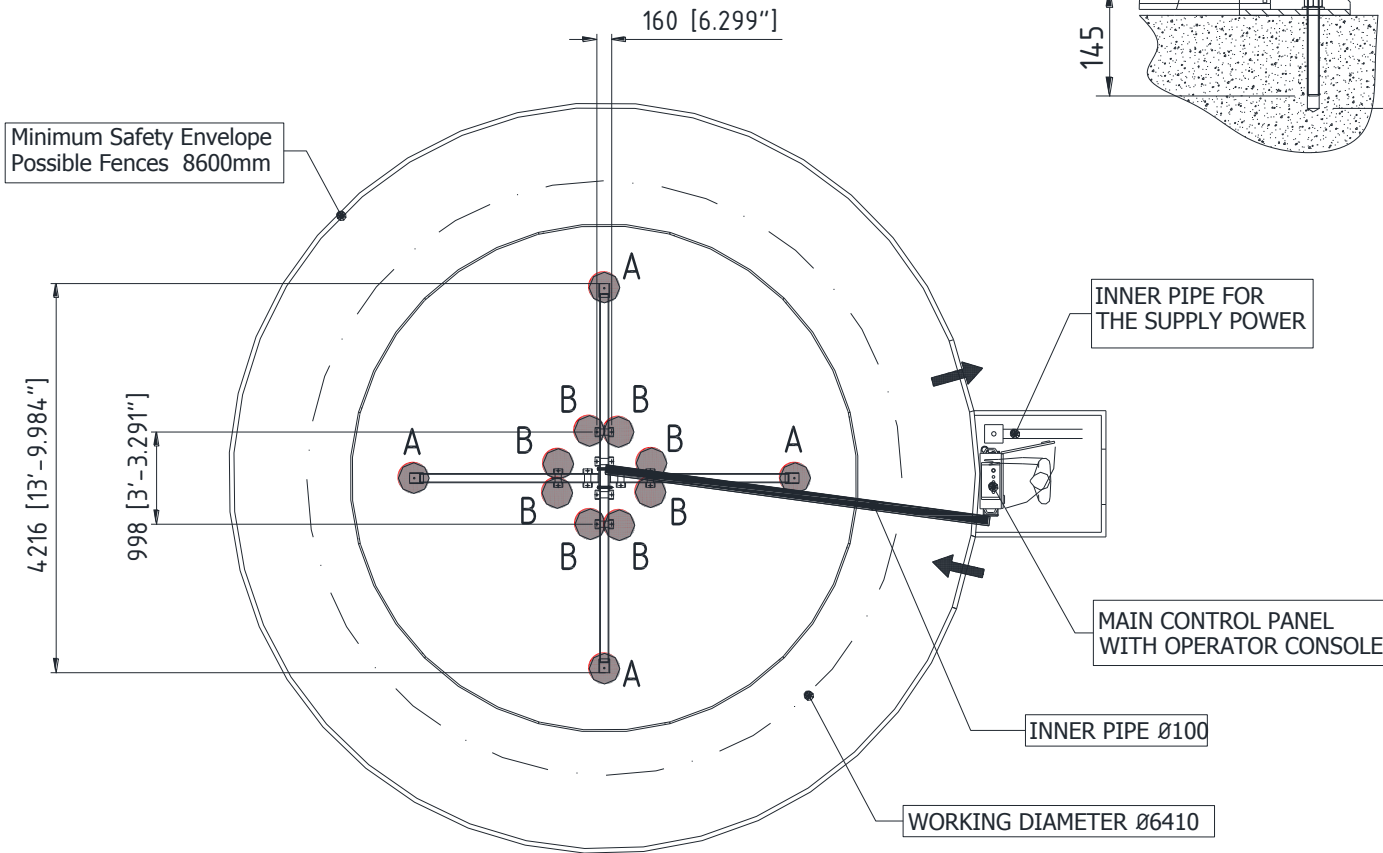
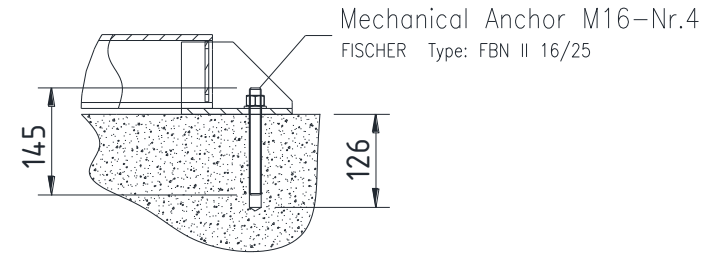
### ELECTRICAL DATA

Voltage	3phase + neutral + earth (230/400/415 V)
Frequency	50/60 Hz
Motive power	1.5 kW
Lighting	1 kW
Control	Automatic/Manual

**Passengers age/height restrictions: Minimum admissible age 4 years old, height 105 cm - Unaccompanied**

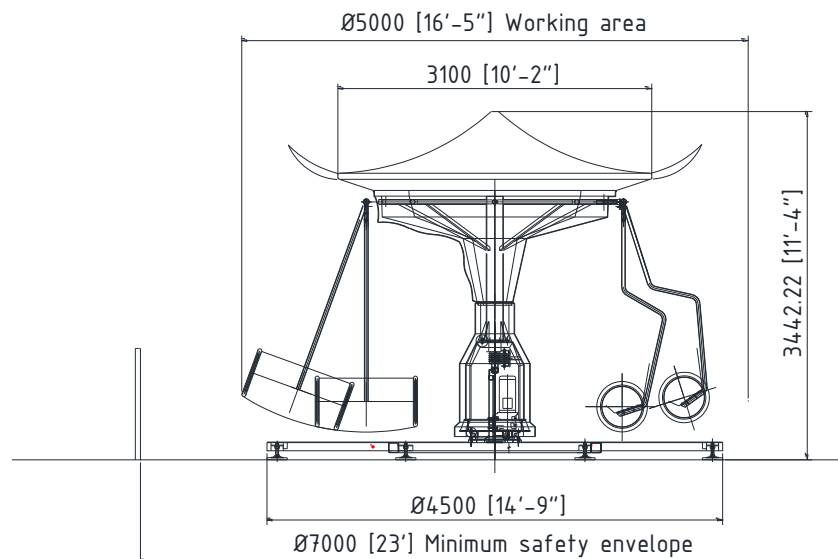
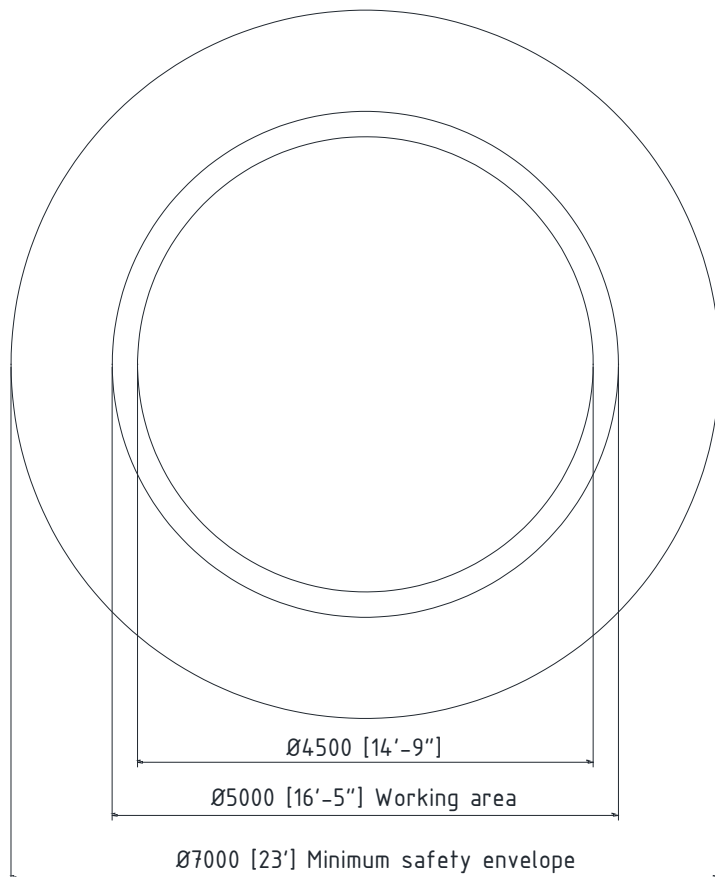
## Fantasy - Foundation

DETT. A



FEET	LOADS ON GROUND								
	DEAD			MIN			MAX		
	Fx[N]	Fy[N]	Fz[N]	Fx[N]	Fy[N]	Fz[N]	Fx[N]	Fy[N]	Fz[N]
A	-311	0	396	-29652	-337	-423	4679	337	6742
B	0	0	2014	0	0	-3862	0	0	14539

## Risciò - Technical Data



### TECHNICAL DATA

Weight	1320 Kg / 12.9 kN – 2120 Kg / 20.7 kN (full load)
Total capacity	16 seats
Hourly capacity	300 passengers
Revolving Speed	12 RPM
Cycle Direction	Clockwise
Boarding	Simultaneous
Shipping volume	1x20'box
Noise level	<80db

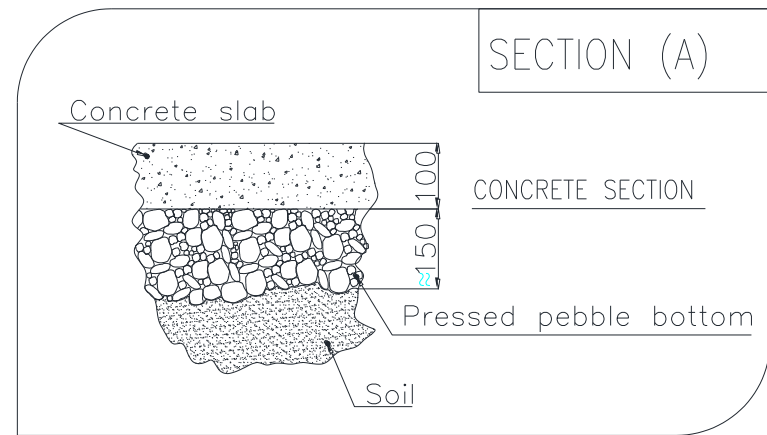
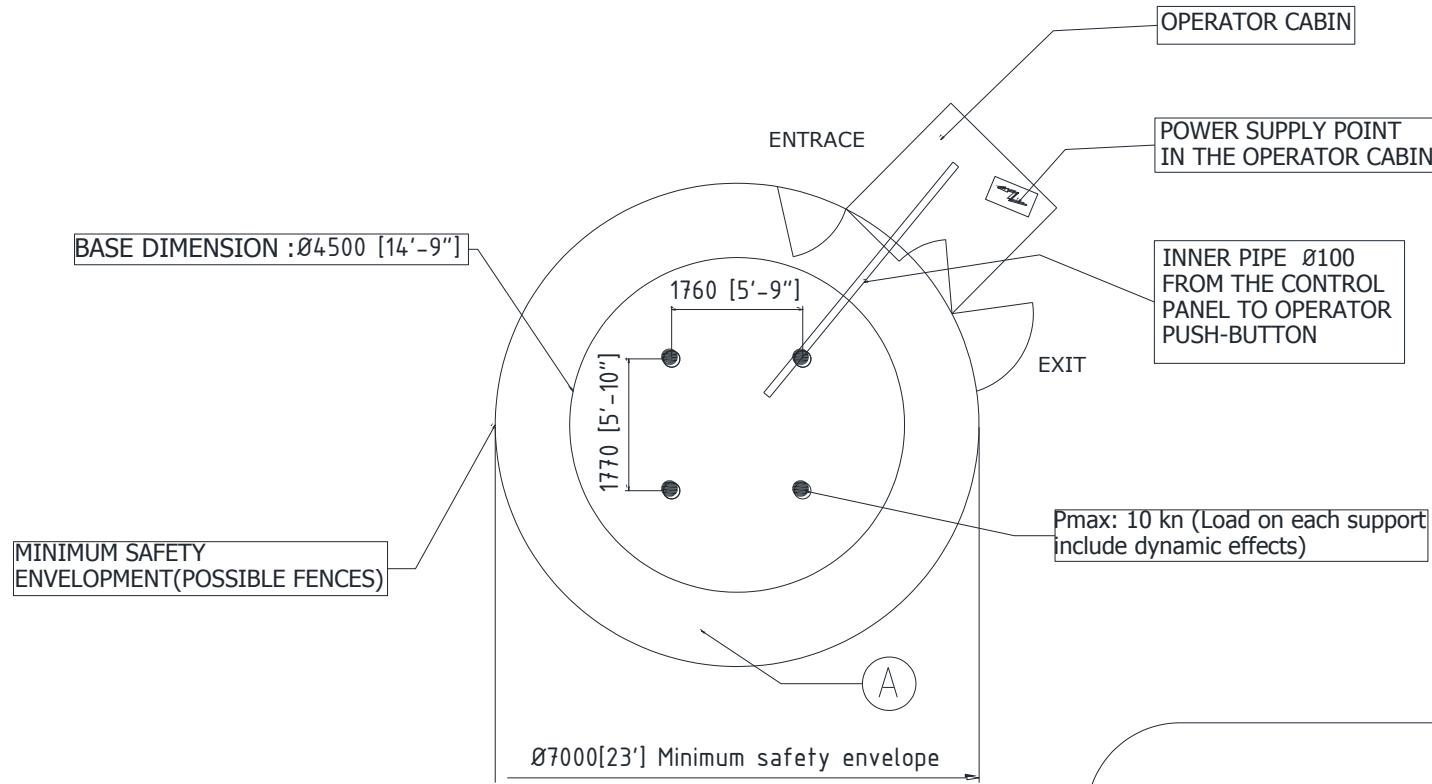
### ELECTRICAL DATA

Voltage	3phase + neutral + earth (230/400/415 V)
Frequency	50/60 Hz
Motive power	0,75 kW
Lighting	1 kW
Control	Automatic/Manual

**Passengers age/height restrictions: Minimum admissible age 4 years old, height 105 cm - Unaccompanied**

# Risciò - Foundation

CHILDREN





## Photos



**Classic**



**Fantasy Swing**



**Riscio**

CHILDREN